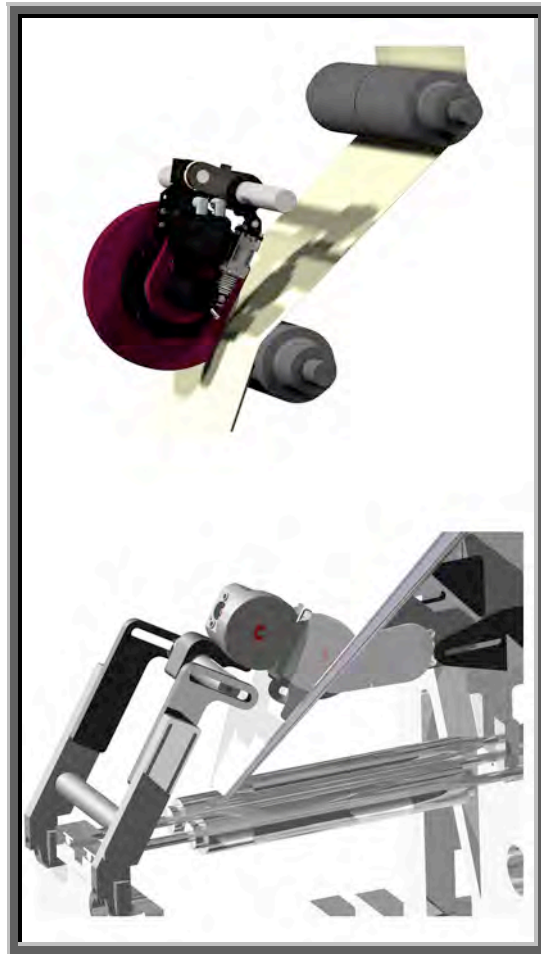


Production options

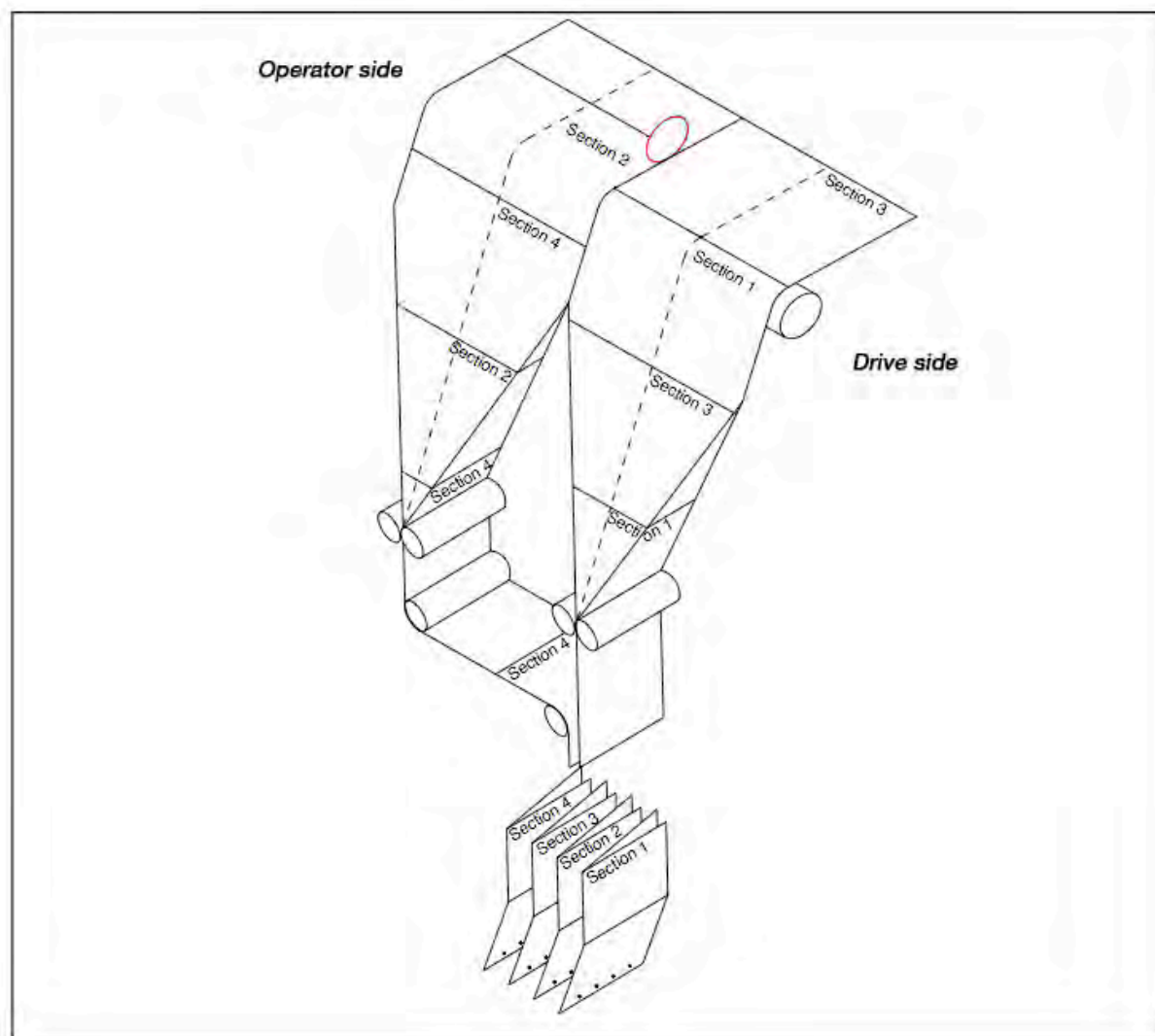
Slitters



www.inventor.se

WebMatic

Option 1

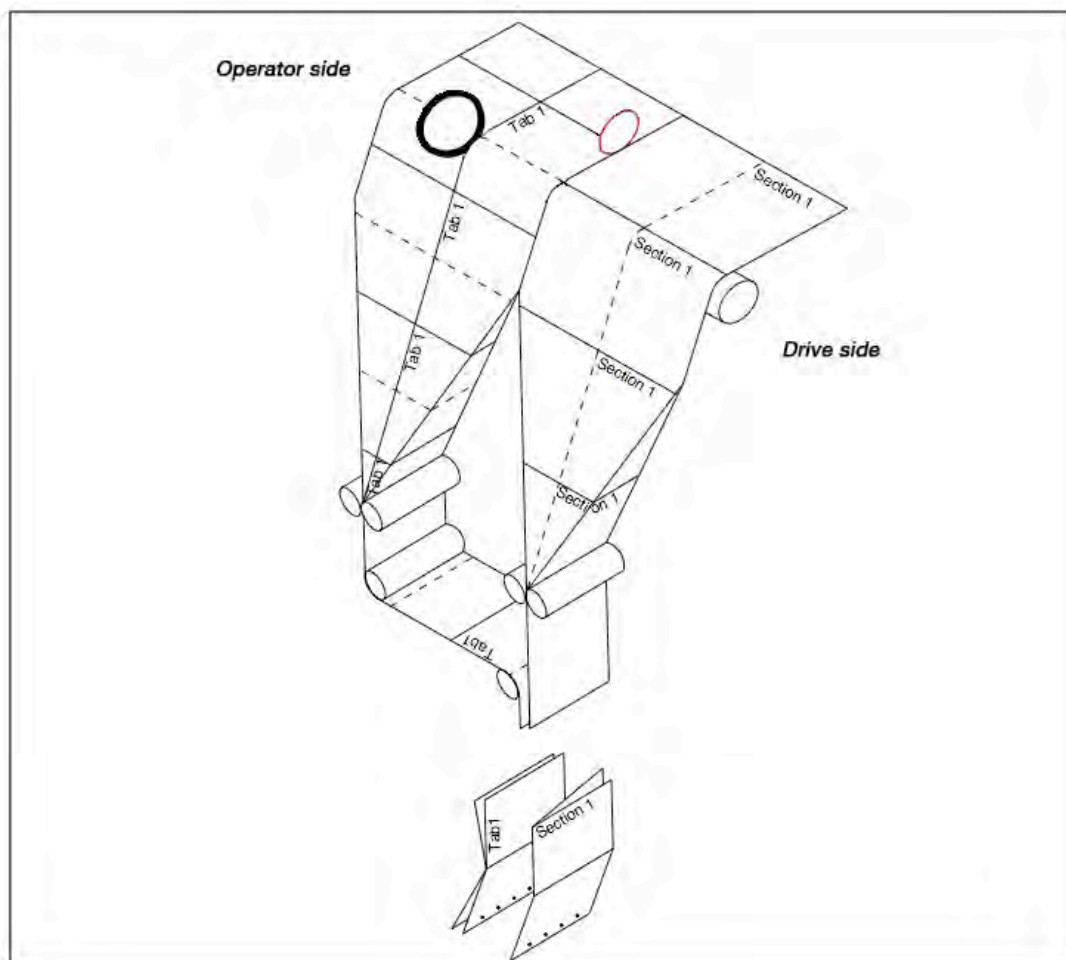


WebMatic is assembled close to the RTF to cut the full web to half webs, which gives following product:

At single production you will get a newspaper containing 4 broadsheets. In double production you will get 2 newspapers with 2 broadsheets in each part.

WebMatic / SkipMatic

Option 2

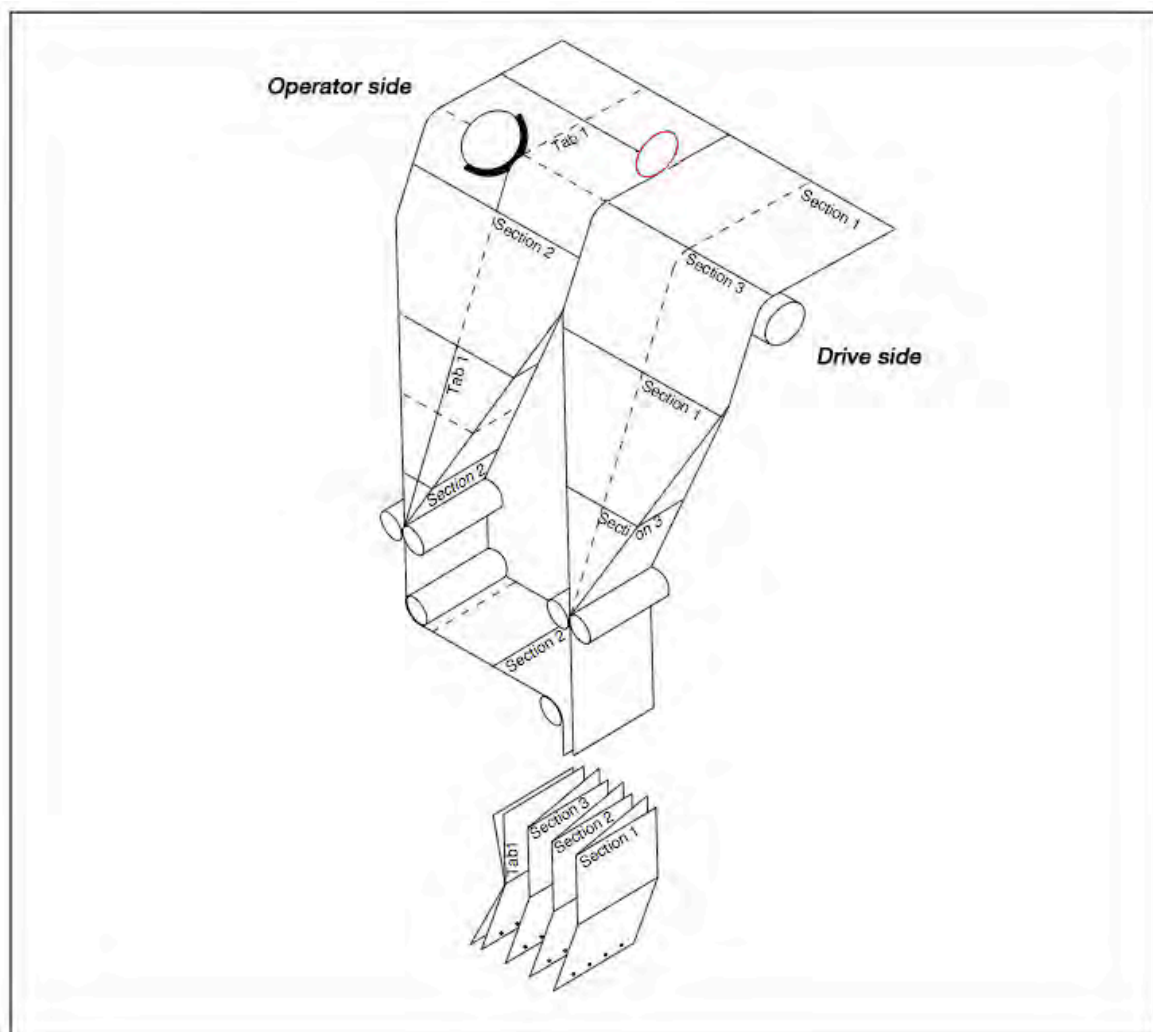


In the middle of the former close to the RTF at the operating side you can either use a SkipMatic with a 360° skip knife or a TabMatic down on the nose of the former. WebMatic will be assembled close to the RTF between the two formers. The web then will be cut into a half web and two quarter webs, which gives the following product:

At double production you will get 2 newspapers containing 1 broadsheet and 1 tabloid. At single production you will get a newspaper containing 2 broadsheets and 2 tabloids lying alternately.

WebMatic / SkipMatic

Option 3



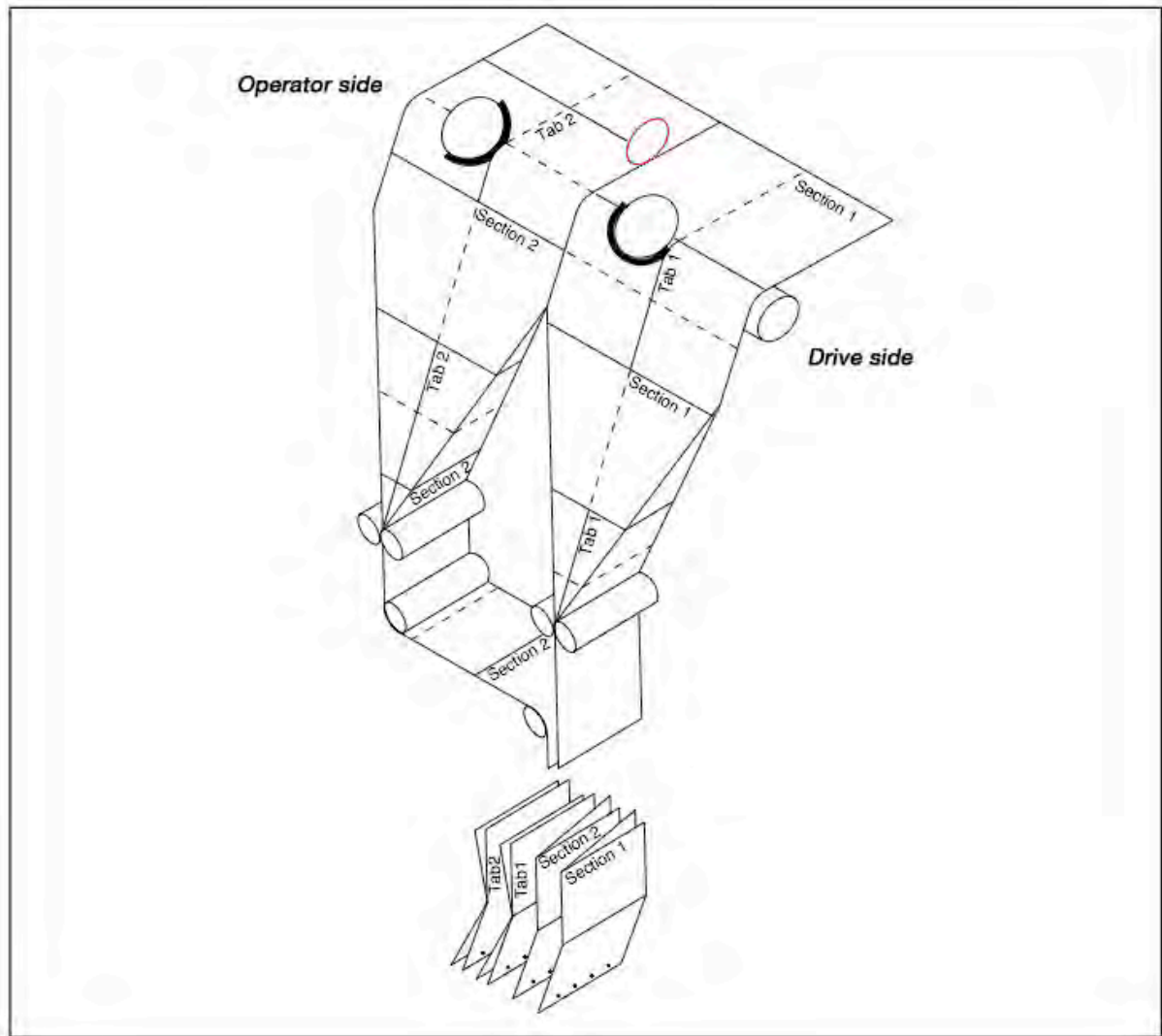
SkipMatic with 180° knife will be assembled towards the RTF in the middle of the former at the operating side and WebMatic close to the RTF between the formers. This will give the following product:

At single production you will get a newspaper consisting of 4 parts where the first 3 parts are broadsheets and the last part is a tabloid.

This way of producing gives the possibility to put in an insert in tabloid size (weekend insert, radio and TV programme, special insert etc.) and if required stitch the insert. The stitcher then must be placed after the former at the operating side. When a 180° knife is used on any of the formers, only single production is relevant.

WebMatic / SkipMatic

Option 4

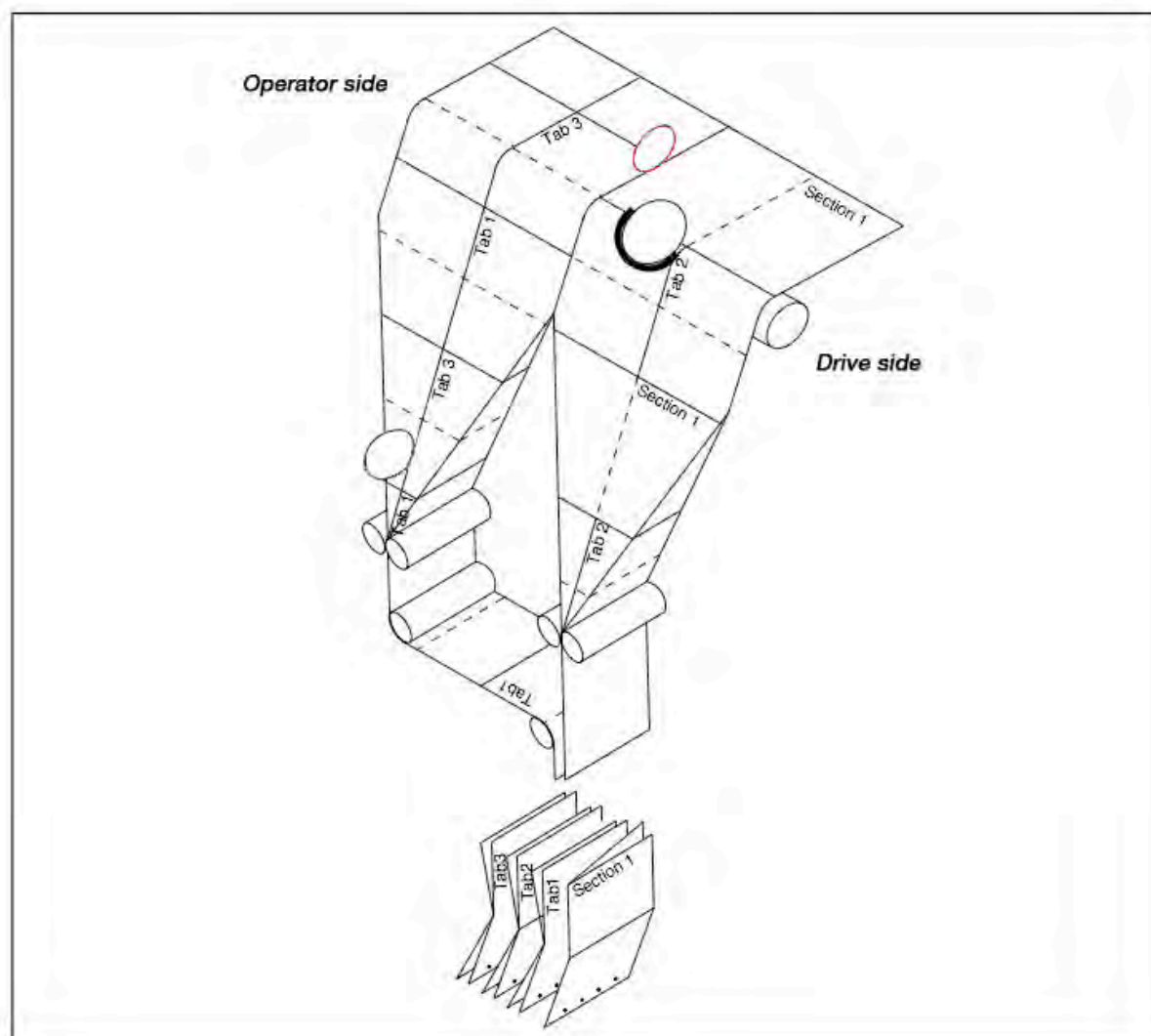


SkipMatic equipped with 180° knife will be assembled towards the RTF in the middle over the both formers and WebMatic between the formers giving following product:

At single production you will have a newspaper consisting of 4 parts, 2 broadsheets and 2 tabloids.

TabMatic / WebMatic / SkipMatic

Option 5

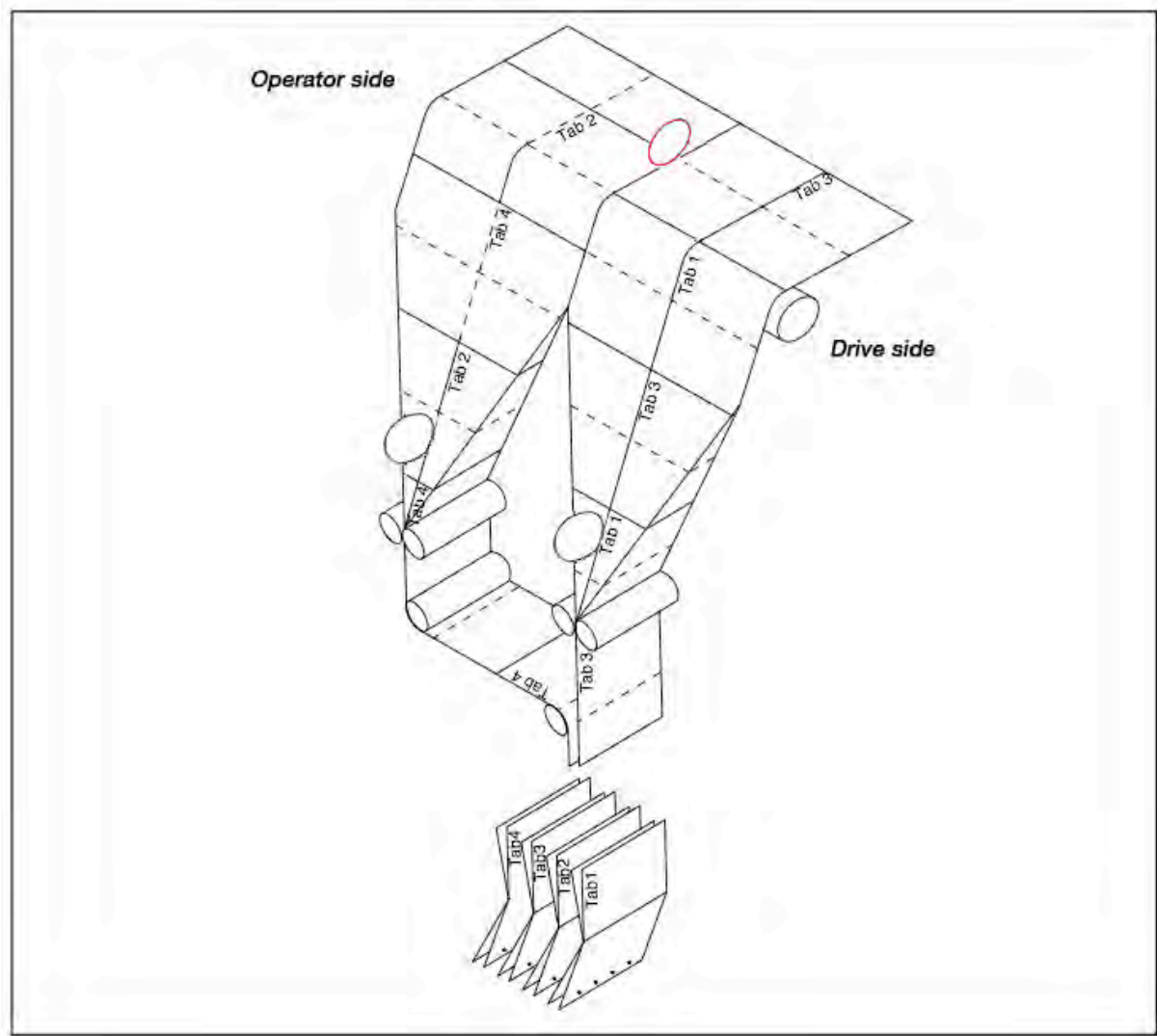


TabMatic will be installed on the left former. WebMatic will be installed in the middle of the web close to the RTF. SkipMatic will be installed towards the RTF over the former on the drive side with a 180° knife giving the following product:

At single production you will have a newspaper with 4 parts, 1 broadsheet and 3 tabloids.

TabMatic / WebMatic

Option 6



TabMatic installed on both formers and WebMatic close to the RTF between the formers gives the following product:

At single production you will have a newspaper in 4 parts where all are tabloid parts. At double production you will have 2 newspapers with 2 tabloids.